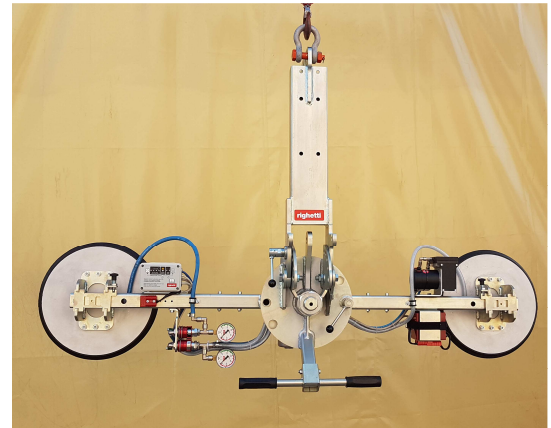


Vacuum Glass Lifter VB2 RCMBM

The VB2 is battery powered vacuum lifter with 2 suction pads.

The VB2 is a below-the-hook lifting accessory suitable for lifting and handling of glass units weighing up to 200 kg. The VB2 RCMBM features manual tilt and manual 360 degree rotation.

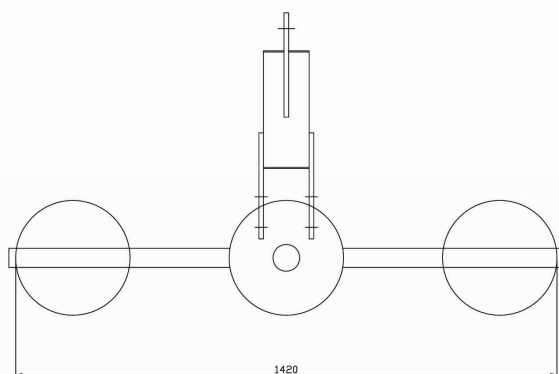
Its compact and flat design permit that VB2 could work also behind scaffoldings.



Technical specification

Application	glass panels
Lifting capacity	max 200 kg
Suction pads	number 2 round pad, diameter 310mm lipped pads with safety ring
Pad spread	mm 1420x300 in standard configuration
Load movement	continuous 360 degree rotation , with possibility of automatic locking at each 90° 90 degree tilt, with possibility of automatic locking in upright and flat position
Operating system	DC vacuum pump powered from on-board batteries high capacity re-chargeable batteries battery status indicator economizer for reduction of the energy consumption
Vacuum system	single vacuum circuit
Weight of lifter	Kg 64
Structural depth	mm 250
Control	Manual slider valve for suction / release on the device release of the load by unique dual action command Remote control as optional
Standard features	Audible and visual low vacuum warning devices Vacuum gauge for each vacuum circuit Battery charger 240 Volt Vacuum filter Multi position hook connection Lowered suspension for installing of transom window

- Lifting capacity max 200 kg
- No.2 suction pads Ø 310 mm
- Battery operating system
- Manual continues 360° rotation
- Manual 90° tilt
- Low vacuum warning device
- Compact and slim frame



Available Optional

Controlled tilting device

Radio remote control

Inclination pole